

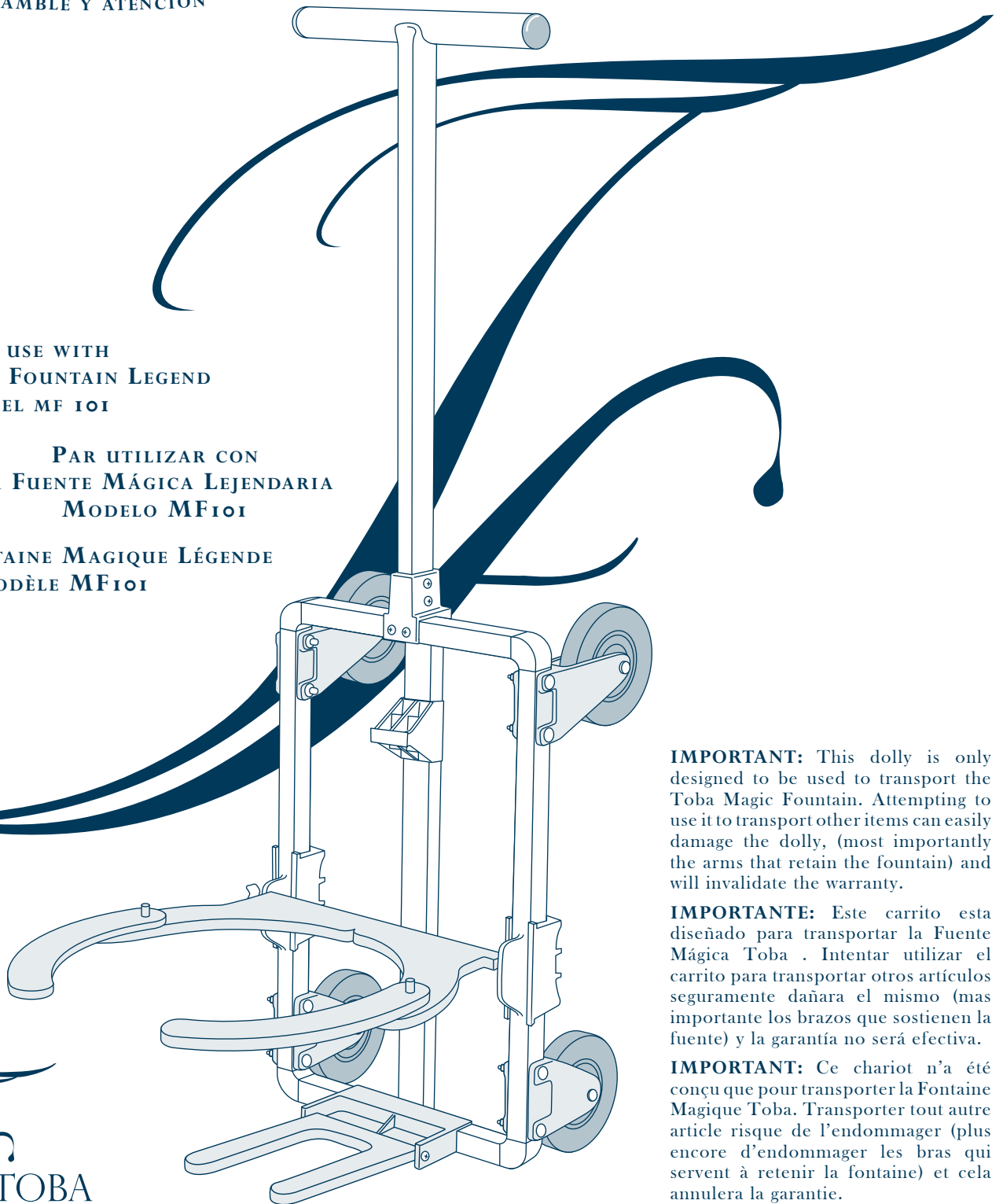
THE TOBA MAGIC FOUNTAIN™ DOLLY ASSEMBLY & CARE

EL CARRITO DE LA TOBA MAGIC FOUNTAIN • LE CHARIOT DE LA FONTAINE MAGIQUE TOBA
ENSAMBLE Y ATENCIÓN ASSEMBLAGE ET ENTRETIEN

FOR USE WITH
TOBA MAGIC FOUNTAIN LEGEND
MODEL MF 101

PAR UTILIZAR CON
LA FUENTE MÁGICA LEJENDARIA
MODELO MF101

POUR LA FONTAINE MAGIQUE LÉGENDE
MODÈLE MF101



IMPORTANT: This dolly is only designed to be used to transport the Toba Magic Fountain. Attempting to use it to transport other items can easily damage the dolly, (most importantly the arms that retain the fountain) and will invalidate the warranty.

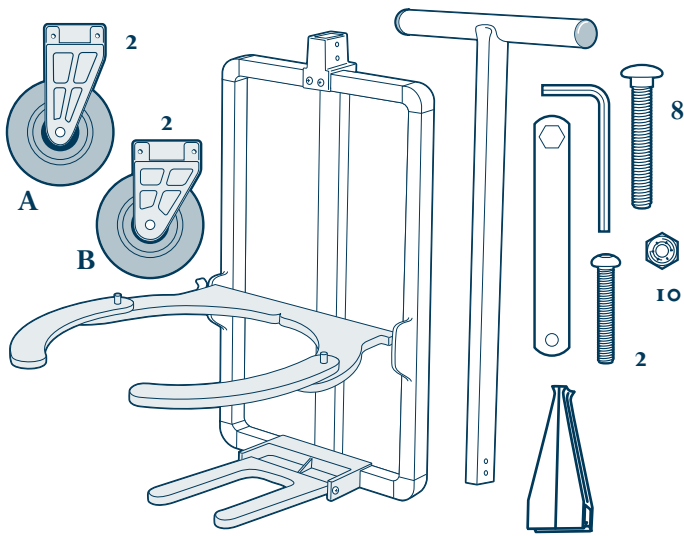
IMPORTANT: Este carrito esta diseñado para transportar la Fuente Mágica Toba . Intentar utilizar el carrito para transportar otros artículos seguramente dañara el mismo (mas importante los brazos que sostienen la fuente) y la garantía no será efectiva.

IMPORTANT: Ce chariot n'a été conçu que pour transporter la Fontaine Magique Toba. Transporter tout autre article risque de l'endommager (plus encore d'endommager les bras qui servent à retenir la fontaine) et cela annulera la garantie.

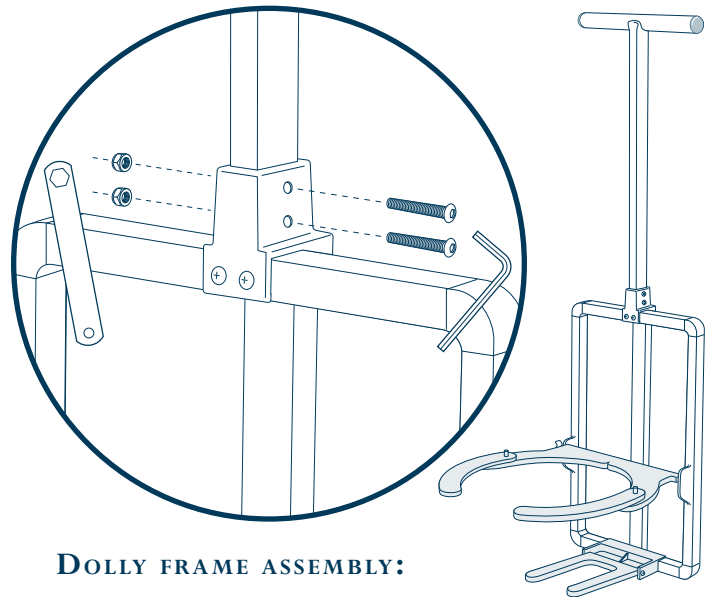

TOBA
FOUNTAINS
Bringing Water to Life

MF 101-40002

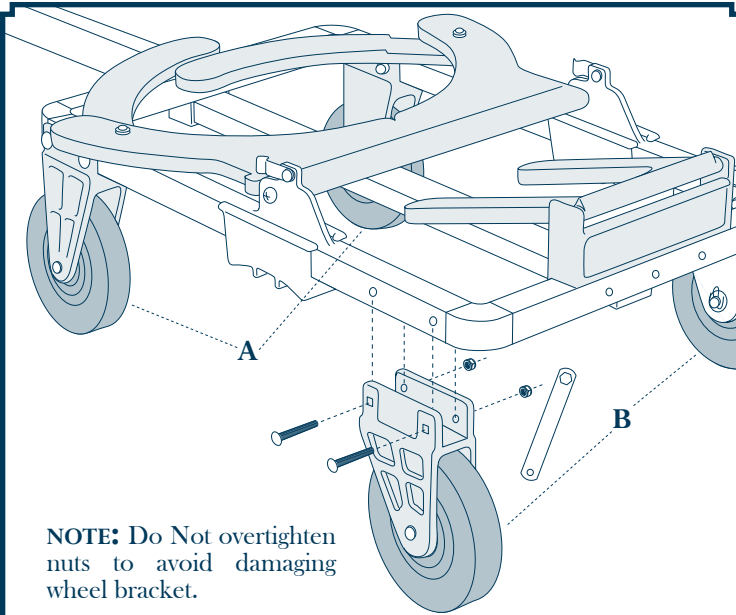
MF 101-16004



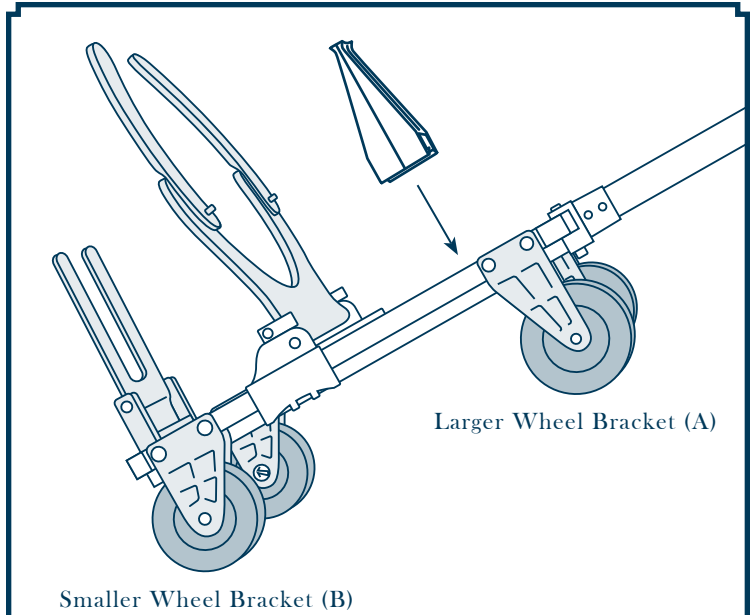
CONTENTS



DOLLY FRAME ASSEMBLY:



NOTE: Do Not overtighten nuts to avoid damaging wheel bracket.

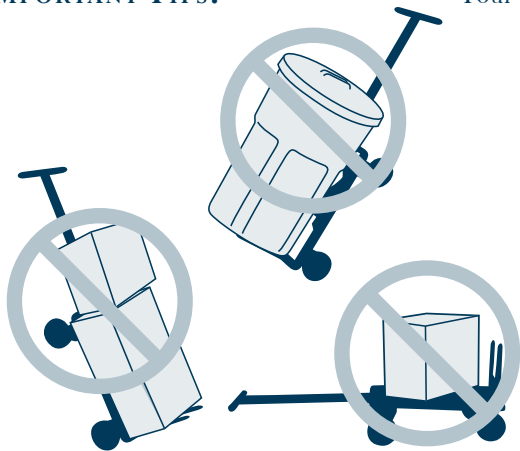


Larger Wheel Bracket (A)

Smaller Wheel Bracket (B)

IMPORTANT TIPS:

Your Toba Magic Fountain Dolly will give you many years of service if treated with care.



Never use the Magic Fountain Dolly to transport other items.



Use care when going up and down steps with the Magic Fountain.



Store dolly inside when not in use.

Refer to the instructions that came with the fountain for placing the fountain in the pool and removing it from the pool.